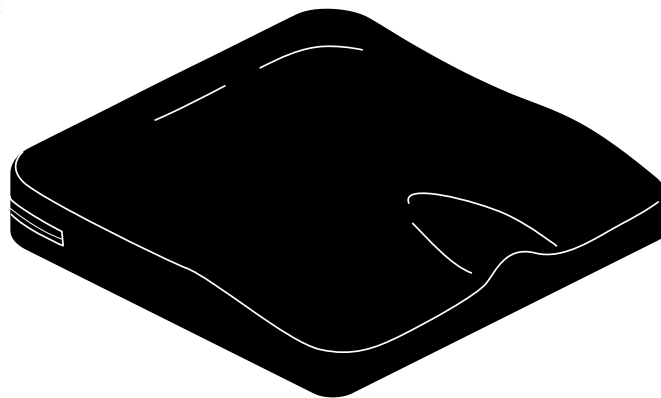


Synergy Spectrum™

Installation and Care Instructions

ACN# 088 609 661



QUANTUM®
REHAB
INNOVATIVE REHAB SOLUTIONS

A Division of Pride Mobility Products® Corp.

INFORMATION LABELING

The symbols below are used throughout this manual and on the product to identify warnings and notes. It is very important for you to read and understand the information that follows these symbols completely:



WARNING! Indicates a potentially hazardous condition/situation that can cause personal injury and damaged equipment.



Read and follow the information in the owner's manual.

Copyright © 2005
Pride Mobility Products Corporation
INFMANU2147/Rev C/Apr 05

TABLE OF CONTENTS

INTRODUCTION 4

USE 6

CLEANING 7

STORAGE..... 8

WARRANTY 8

INTRODUCTION

WELCOME to Quantum Rehab, a division of Pride Mobility Products Corporation (Pride). The product you have purchased combines state-of-the-art components with **safety**, comfort, and styling in mind. We are confident that the design features will provide you with the conveniences you expect during your daily activities. Understanding how to **safely** use and care for this product should bring you years of trouble free operations and service.

Read and follow all instructions, warnings, and notes in this manual and all other accompanying literature before attempting to use this product for the first time. In addition, your **safety** depends upon you, as well as your provider, caretaker, or healthcare professional in using good judgement.

This manual is to be used in addition to the owner's manual that came with your chair. If there is any information in this manual which you do not understand, or if you require additional assistance for setup or operation, please contact your Quantum Rehab Specialist. **Failure to follow the instructions, warnings, and notes in this manual and those located on your Pride product can result in personal injury and/or product damage and will void Pride's product warranty.**

PURCHASER'S AGREEMENT

By accepting delivery of this product, you promise that you will not change, alter, or modify this product or remove or render unusable or unsafe any guards, shields, or other safety features of this product; fail, refuse, or neglect to install any retrofits kits from time to time provided by Pride to enhance or preserve the safe use of this product.

INFORMATION EXCHANGE

We want to hear your questions, comments, and suggestions about this manual. We would also like to hear about the safety and reliability of your new Pride product, and about the service you received from your Quantum Rehab Specialist. Please notify us of any change of address, so we can keep you apprised of important information about safety, new products, and new options that can increase your ability to use and enjoy your Pride product.

Please feel free to contact us at the address below:

Pride Mobility Products Corporation
Attn: Customer Care Department
182 Susquehanna Avenue
Exeter, PA 18643-2694

NOTE: If you ever lose or misplace your product registration card or your copy of this manual, contact us and we will be glad to send you a new one immediately.

My Quantum Rehab Specialist Is:

Name: _____

Address: _____

Phone Number: _____

Purchase Date: _____

USE

The Synergy Spectrum is labeled to assure proper placement on the chair.

To place the Synergy Spectrum on the chair:

1. Locate the “Front Bottom” label on the underside of the cushion.
2. Place the cushion on the seat so that the “Front Bottom” label is located on the front of the seat, label side facing down. The zipper on the cushion will face the rear side of the seat. See figure 1.

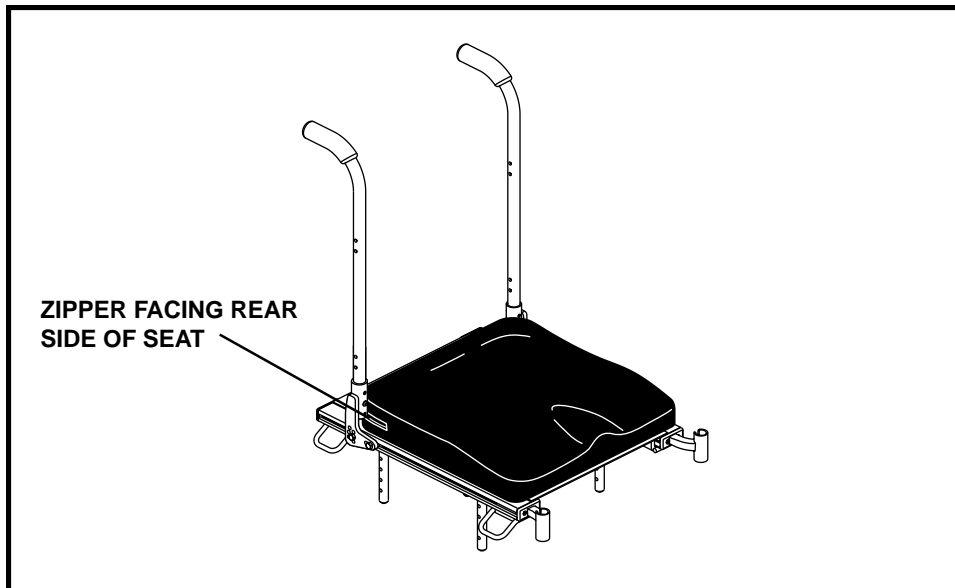


Figure 1. Cushion Placement

CLEANING

The Synergy Spectrum can be easily cleaned.

To clean the Synergy Spectrum:

1. Locate the zipper on the rear side of the outer cover. See figure 2.
2. Unzip the outer cover and pull out the inner cushion, which is wrapped in a fluid-resistant cover.
3. Wash the outer cover in a washing machine on the COLD setting.



WARNING! To prevent damage to the seat cover, do not use bleach when cleaning the outer cover.

4. Spray the inner cover with a disinfectant, then wipe it clean.



WARNING! To prevent damage to the inner cushion, do not submerge it in water.

5. Allow both the outer and inner covers to air dry.



WARNING! To prevent shrinking of the outer cover, do not dry it in a clothes dryer.

6. Once both covers are dry, put the inner cushion back inside the outer cover. Zip the outer cover closed, and place the Synergy Spectrum back onto the seat of your chair.

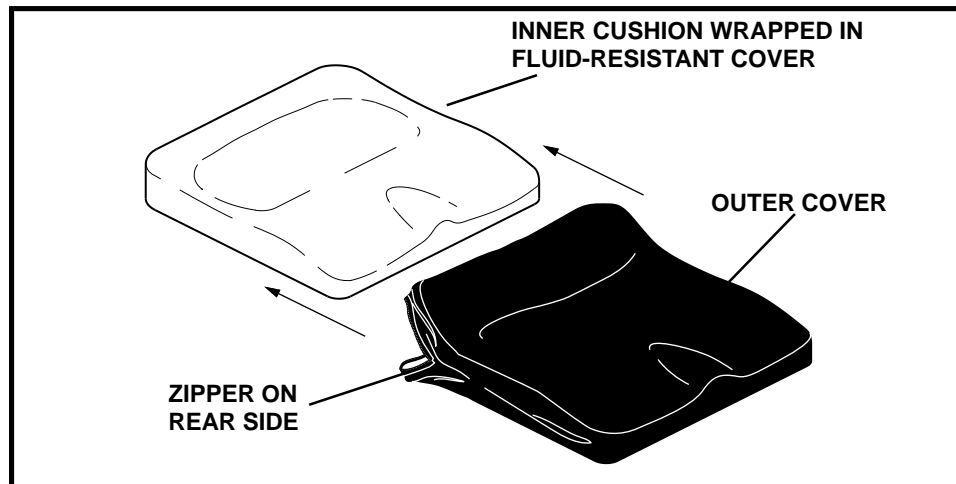


Figure 2. Synergy Spectrum

STORAGE

The Synergy Spectrum should not be stored in extreme heat or cold temperatures.

WARRANTY

The Synergy Spectrum cushion is designed and produced to the highest of standards. Our Synergy Spectrum cushion is guaranteed to be free of defects in material and workmanship for a period of 24 months. If any defect in material or workmanship is found, Pride Mobility Products will repair or replace, at our discretion, the Synergy Spectrum cushion. This warranty does not apply to cushions abused or misused by the user and deemed such by Pride Mobility Products.

Claims and repairs should be processed through the nearest Quantum Rehab Specialist.

NOTES

NOTES

NOTES

QUANTUM[®]

REHAB

INNOVATIVE REHAB SOLUTIONS

A Division of Pride Mobility Products[®] Corp.

www.quantumrehab.com
www.pridemobility.com

Pride Mobility Products Corporation

182 Susquehanna Avenue
Exeter, PA 18643
USA

Pride Mobility Products Company

380 Vansickle Road Unit 350
St. Catharines, Ontario L2R 6P7
Canada

Pride Mobility Products Ltd.

Unit 106, Heyford Park Camp Road
Upper Heyford, Oxfordshire OX25 5HA

Pride Mobility Products Australia Pty. Ltd.

21 Healey Road
Dandenong, 3175
Victoria, Australia

Pride Mobility Products Italia s.r.l.

Via del Progresso-ang. Via del Lavoro
Loc. Prato della Corte
00065 Fiano Romano (RM)

Pride Mobility Products Europe B.V.

Tijnmuiden 28
1046 AL Amsterdam
The Netherlands

Pride