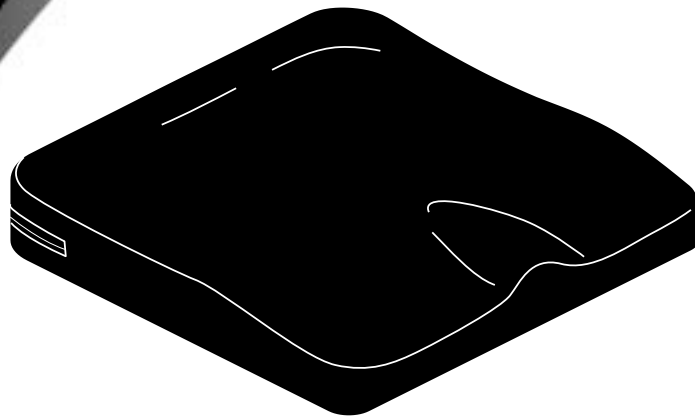


# Synergy Solution Installation and Care Instructions

ACN# 088 609 661



**QUANTUM<sup>®</sup>**  
**REHAB**  
**INNOVATIVE REHAB SOLUTIONS**

A Division of Pride Mobility Products<sup>®</sup> Corp.

## INFORMATION LABELING

The symbols below are used throughout this owner's manual and on the product to identify warnings and important information. It is very important for you to read them and understand them completely.



**WARNING! Failure to follow designated procedures can cause either personal injury, component damage, or malfunction (black symbol on yellow triangle with black border).**

---



**Read and follow the information in the owner's manual.**

Copyright © 2005  
Pride Mobility Products Corporation  
INFMANU2070/Rev D/October 05

<h1>TABLE OF CONTENTS</h1>
----------------------------

**INTRODUCTION** ..... 4

**THE SYNERGY SOLUTION** ..... 6

**INSTALLATION AND USE** ..... 6

**CLEANING** ..... 7

**CLEANING THE OPTIONAL SINGLE COVER** ..... 8

**STORAGE**..... 9

**WARRANTY** ..... 9

## INTRODUCTION

WELCOME to Quantum Rehab, a division of Pride Mobility Products Corporation (Pride). The product you have purchased combines state-of-the-art components with **safety**, comfort, and styling in mind. We are confident that the design features will provide you with the conveniences you expect during your daily activities. Understanding how to **safely** use and care for this product should bring you years of trouble free operations and service.

**Read and follow** all instructions, warnings, and notes in this manual and all other accompanying literature before attempting to use this product for the first time. In addition, your **safety** depends upon you, as well as your provider, caretaker, or healthcare professional in using good judgement.

This manual is to be used in addition to the owner's manual that came with your chair. If there is any information in this manual which you do not understand, or if you require additional assistance for setup or operation, please contact your Quantum Rehab Specialist. **Failure to follow the instructions, warnings, and notes in this manual and those located on your Pride product can result in personal injury and/or product damage and will void Pride's product warranty.**

## PURCHASER'S AGREEMENT

By accepting delivery of this product, you promise that you will not change, alter, or modify this product or remove or render unusable or unsafe any guards, shields, or other safety features of this product; fail, refuse, or neglect to install any retrofits kits from time to time provided by Pride to enhance or preserve the safe use of this product.

## INFORMATION EXCHANGE

We want to hear your questions, comments, and suggestions about this manual. We would also like to hear about the safety and reliability of your new Pride product, and about the service you received from your Quantum Rehab Specialist. Please notify us of any change of address, so we can keep you apprised of important information about safety, new products, and new options that can increase your ability to use and enjoy your Pride product.

Please feel free to contact us at the address below:

Pride Mobility Products Corporation  
Attn: Customer Care Department  
182 Susquehanna Avenue  
Exeter, PA 18643-2694

***NOTE: If you ever lose or misplace your product registration card or your copy of this manual, contact us and we will be glad to send you a new one immediately.***

**My Quantum Rehab Specialist Is:**

Name: \_\_\_\_\_

Address: \_\_\_\_\_

Phone Number: \_\_\_\_\_

Purchase Date: \_\_\_\_\_

## THE SYNERGY SOLUTION

The Synergy Solution is a seatbase cushion designed for user comfort and positioning needs. Figure 1 provides information on the Synergy Solution components and placement.

## INSTALLATION AND USE

The Synergy Solution is labeled to assure proper placement on the chair.

### To place the Synergy Solution on the chair:

1. Locate the “Back Bottom” label on the underside of the cushion.
2. Place the cushion on the seat so that the “Back Bottom” label is located on the back of the seat, label side facing down. The zipper on the cushion will face the rear side of the seat. See figure 1.

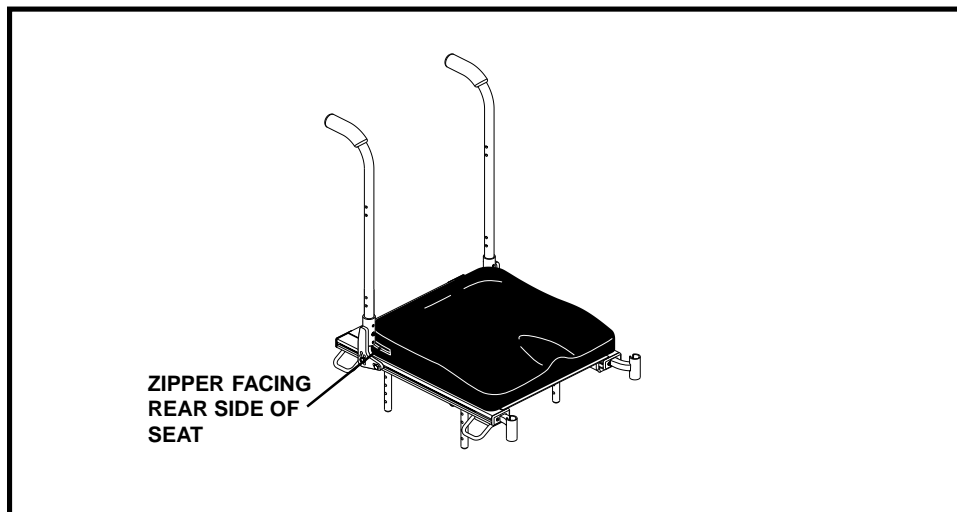


Figure 1. Cushion Placement

## CLEANING

The Synergy Solution can be easily cleaned. For information on cleaning the Synergy Solution Single Cover refer to “Cleaning the Optional Single Cover.”

### To clean the Synergy Solution:

1. Locate the zipper on the rear side of the outer cover. See figure 2.
2. Unzip the outer cover and pull out the inner cushion, which is wrapped in a fluid-resistant cover.
3. Wash the outer cover in a washing machine on the COLD setting.



WARNING! Do not use bleach when washing the outer cover. Doing so may cause damage to the cover.

4. Spray the inner cover with a disinfectant, then wipe it clean.



WARNING! Never submerge the inner cushion of your Synergy Solution in water. Doing so may cause damage to the cushion.

5. Allow both the outer and inner covers to air dry.



WARNING! Do not attempt to put the outer cover in a dryer. This may cause shrinking.

6. Once both covers are dry, put the inner cushion back inside the outer cover. Zip the outer cover closed, and place the Synergy Solution back onto the seat of your chair.

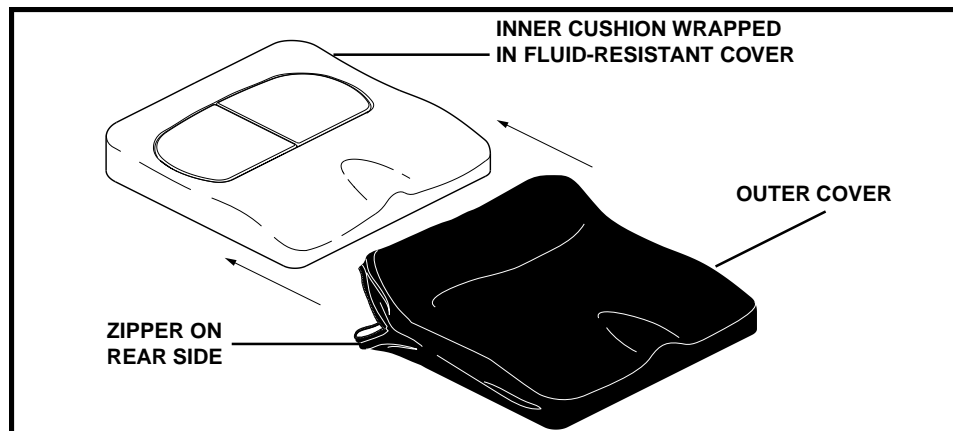


Figure 2. Synergy Solution

## CLEANING THE OPTIONAL SINGLE COVER

The Synergy Solution Single Cover can be easily cleaned.

### To clean the Synergy Solution Single Cover:

1. Locate the zipper on the rear side of the outer cover. See figure 2.
2. Unzip the cover and pull out the inner cushion.
3. Wash the outer cover in a washing machine using soap powder (not detergent) on the COLD setting.



WARNING! Do not use bleach when washing the outer cover. Doing so may cause damage to the cover.

WARNING! Never submerge the inner cushion of your Synergy Solution in water. Doing so may cause damage to the cushion.

4. Allow the cover to air dry.



WARNING! Do not attempt to put the outer cover in a dryer. This may cause shrinking.

5. Once the cover is dry, put the inner cushion back inside the cover. Zip the cover closed, and place the Synergy Solution back onto the seat of your chair.

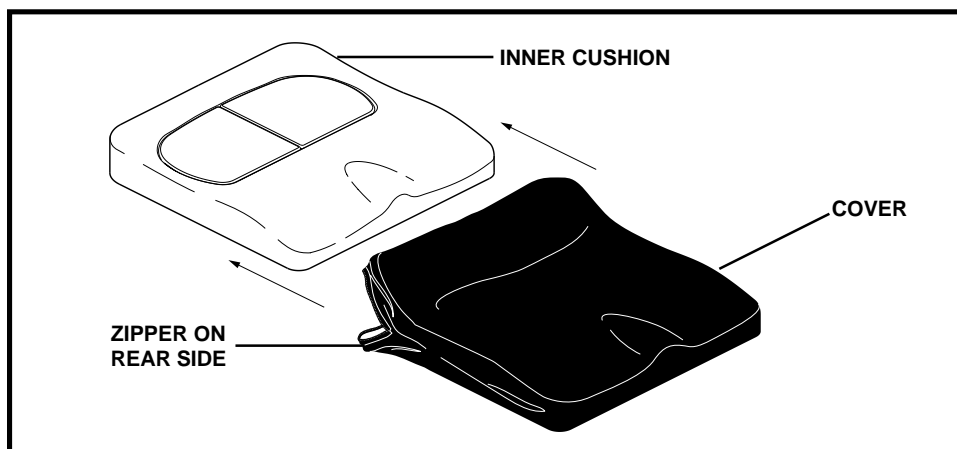


Figure 3. Synergy Solution With Optional Single Cover

## **STORAGE**

The Synergy Solution should not be stored in extreme heat or cold temperatures.

## **WARRANTY**

The Synergy Solution cushion is designed and produced to the highest of standards. Our Synergy cushion is guaranteed to be free of defects in material and workmanship for a period of 24 months. If any defect in material or workmanship is found, Pride Mobility Products will repair or replace, at our discretion, the Synergy cushion. This warranty does not apply to cushions abused or misused by the user and deemed such by Pride Mobility Products.

Claims and repairs should be processed through the nearest Quantum Rehab Specialist.

# NOTES

# NOTES

# **QUANTUM<sup>®</sup>**

---

## **REHAB**

---

### **INNOVATIVE REHAB SOLUTIONS**

A Division of Pride Mobility Products<sup>®</sup> Corp.

[www.quantumrehab.com](http://www.quantumrehab.com)  
[www.pridemobility.com](http://www.pridemobility.com)

**Pride Mobility Products Corporation**  
182 Susquehanna Avenue  
Exeter, PA 18643  
USA

**Pride Mobility Products Company**  
380 Vansickle Road Unit 350  
St. Catharines, Ontario L2R 6P7  
Canada

**Pride Mobility Products Ltd.**  
Unit 106, Heyford Park Camp Road  
Upper Heyford, Oxfordshire OX25 5HA

**Pride Mobility Products Australia Pty. Ltd.**  
21 Healey Road  
Dandenong, 3175  
Victoria, Australia

**Pride Mobility Products Italia S.r.l.**  
Via della Progresso - ang. Via del Lavoro  
Loc. Prato della Corte  
00065 Fiano Romano (RM)

**Pride Mobility Products Europe B.V.**  
Tijnmuiden 28  
1046 AL Amsterdam  
The Netherlands

**\*INVALEDO\***

**Pride**