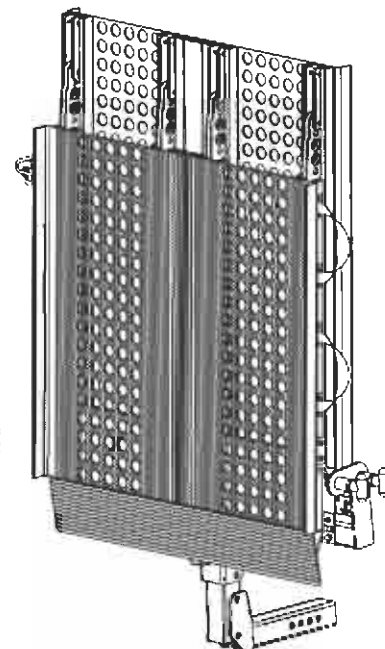
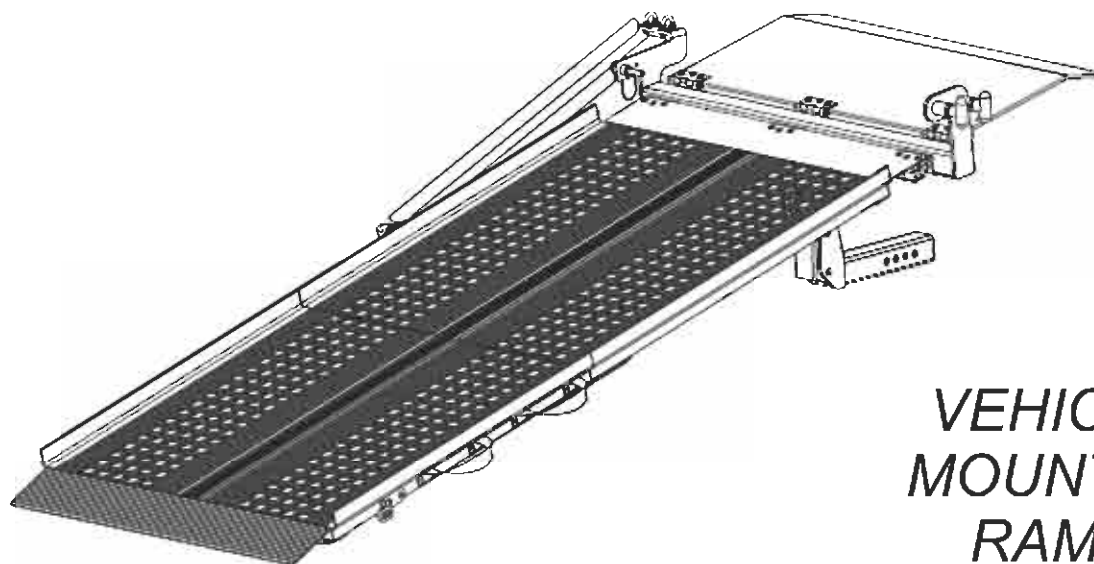




AR208



**VEHICLE
MOUNTED
RAMP**

This ramp is intended
for UN-OCCUPIED
loading and unloading
of power chairs and scooters.

Not for Human Transport



Read manual thoroughly before attempting to install or operate lift.

This manual has been provided to assist you with lift installation and operation. For further assistance please contact your authorized Harmar Mobility dealer or Harmar's Technical Services department.

Tel: 800.833.0478

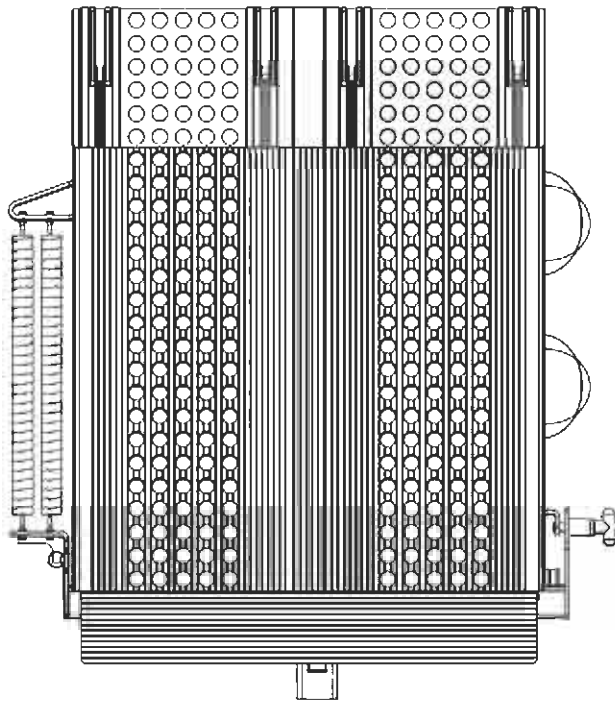
Fax: 866.234.0478

Email: tech@harmar.com

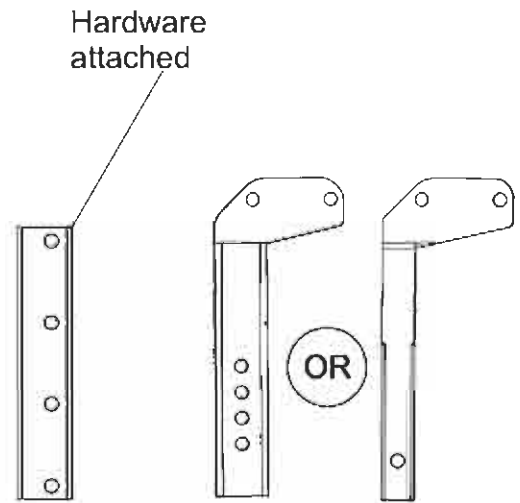
Dealer:

Serial Number:

Unpacking the Ramp



Ramp Assembly



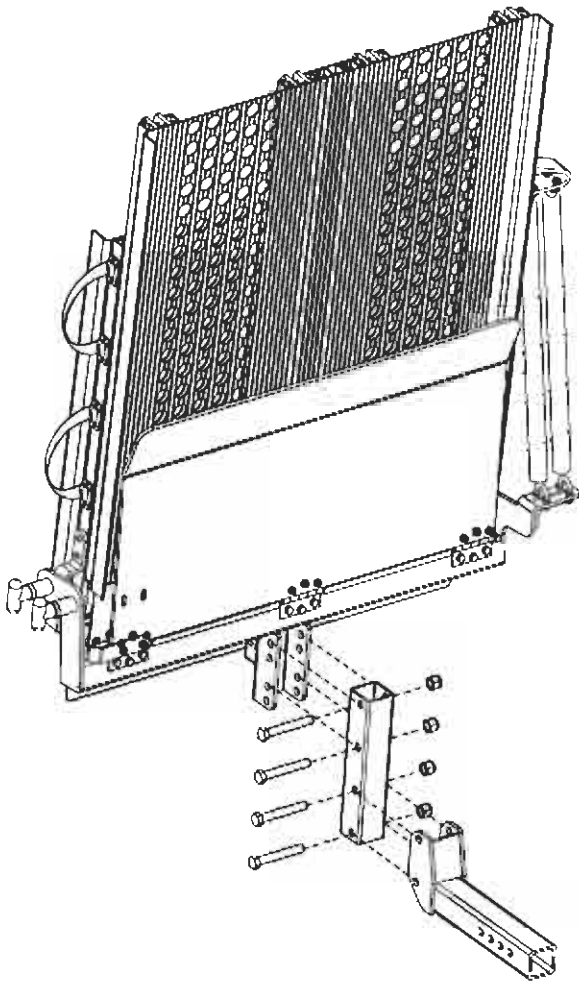
Hitch Post

Hitch Adapter
Class 3 or
Class 2



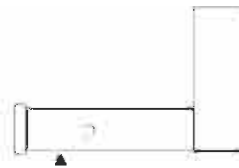
Be sure to check the contents of the box against the package checklist assuring that all parts are present. If any parts are missing, or damage is noted, contact your dealer immediately. **DO NOT** attempt to install or operate a ramp with missing or damaged parts.

Mounting the Ramp



There are 4 different mounting options (shown below)
Angle of the ramp is **STRONGLY** recommended NOT to exceed **14** degrees (or 4 inches of run - 1 inch of rise)

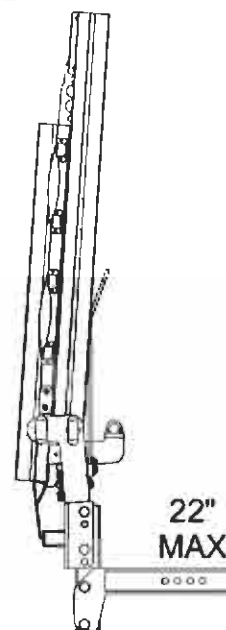
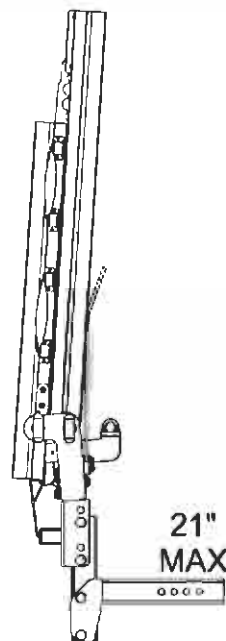
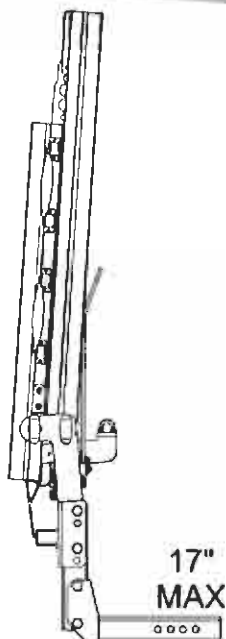
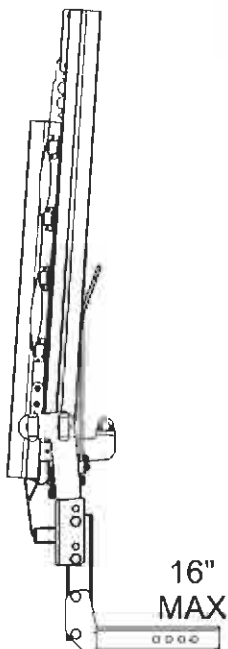
The lower the angle, the easier the chair or scooter will be to load into the vehicle. When possible, use the 22" MAX arrangement. The only drawback to using this setting is the vehicle's ground clearance.



Measure from bottom of Hitch Receiver to Ground

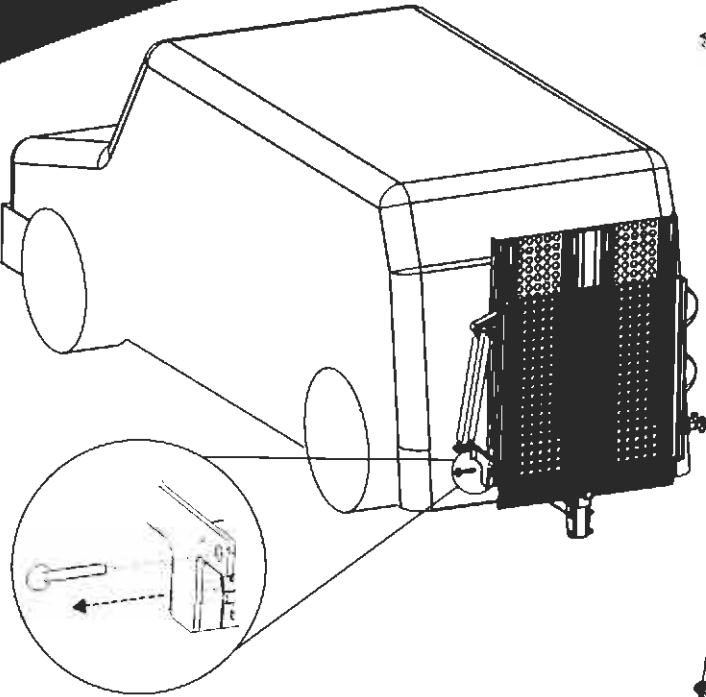
Higher Angle

Lower Angle



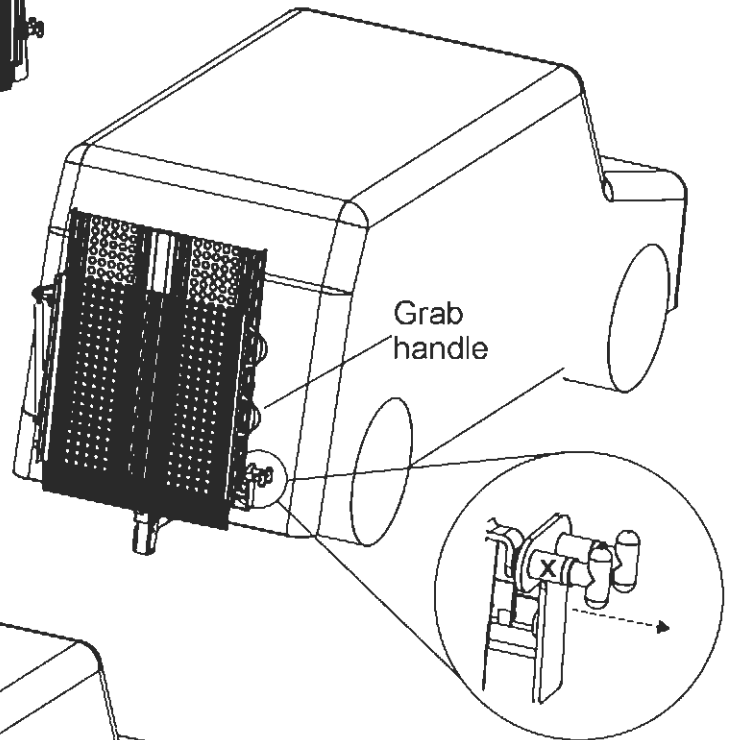
Using the Ramp

1 Remove Safety Pin.

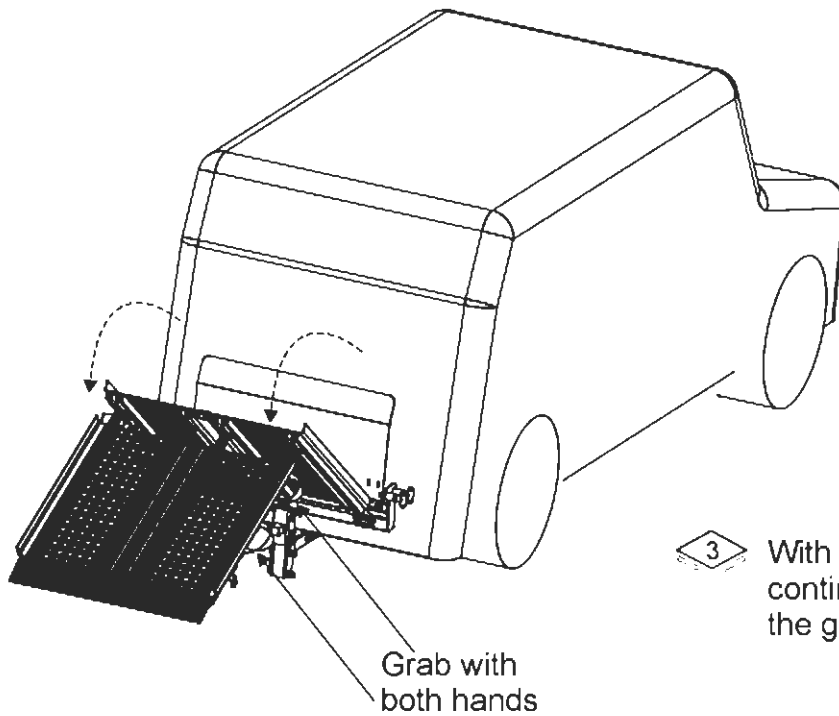


2 Grab one handle
Pull OUTER T-handle
Move ramp away from vehicle

2

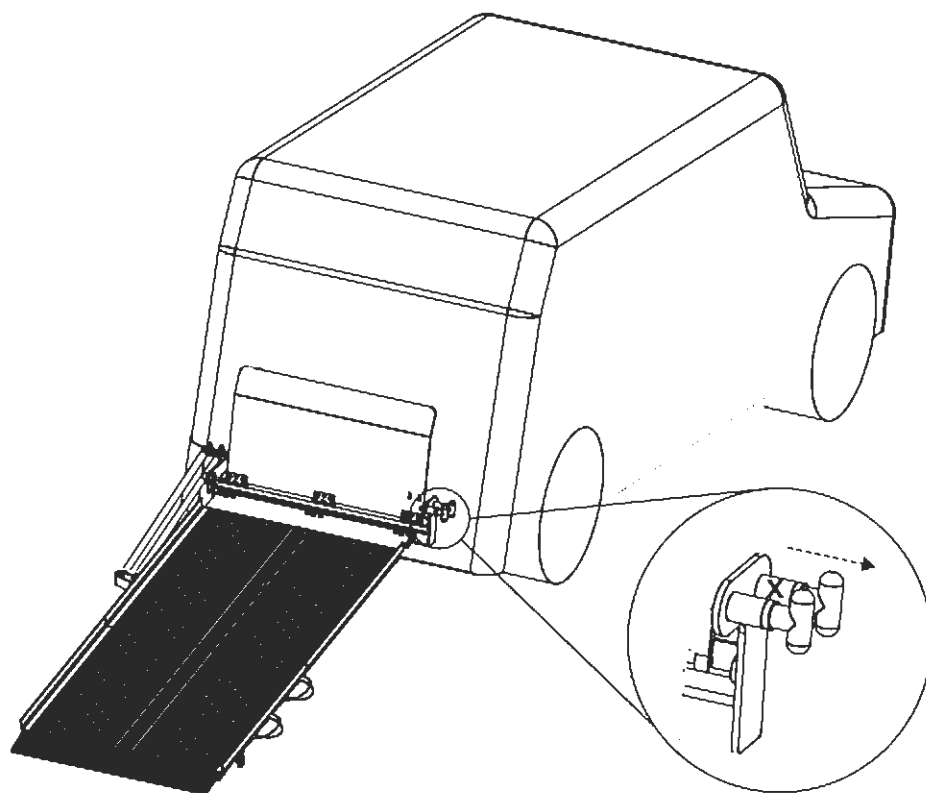


Pull OUTER
T-handle

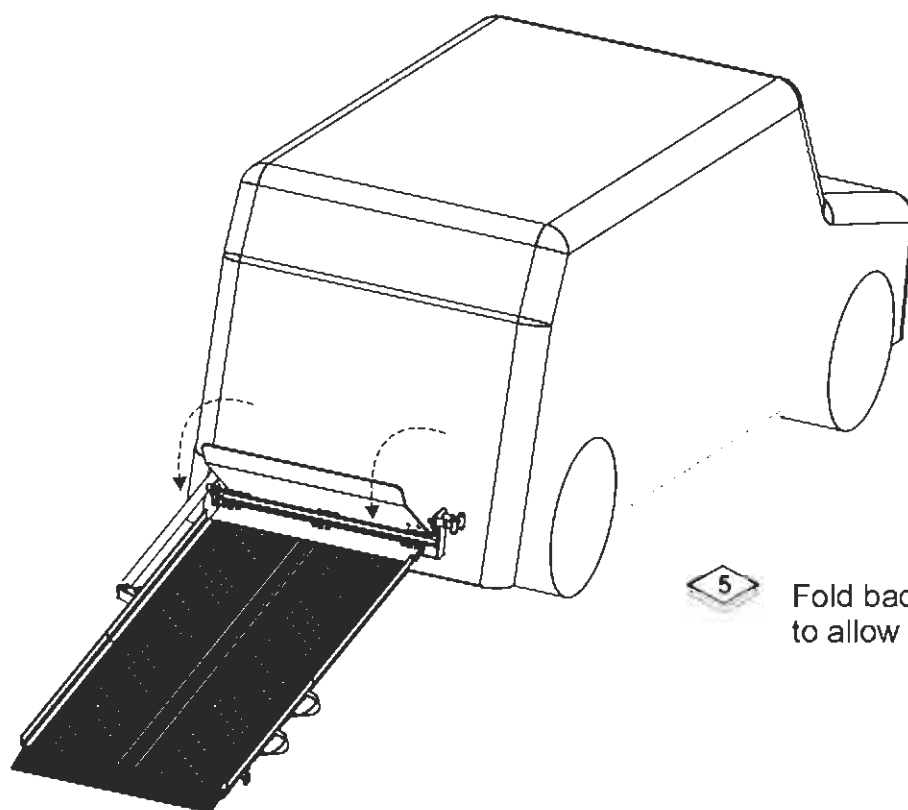


3 With both hands on both handles,
continue to pull ramp and lower to
the ground.

Using the Ramp



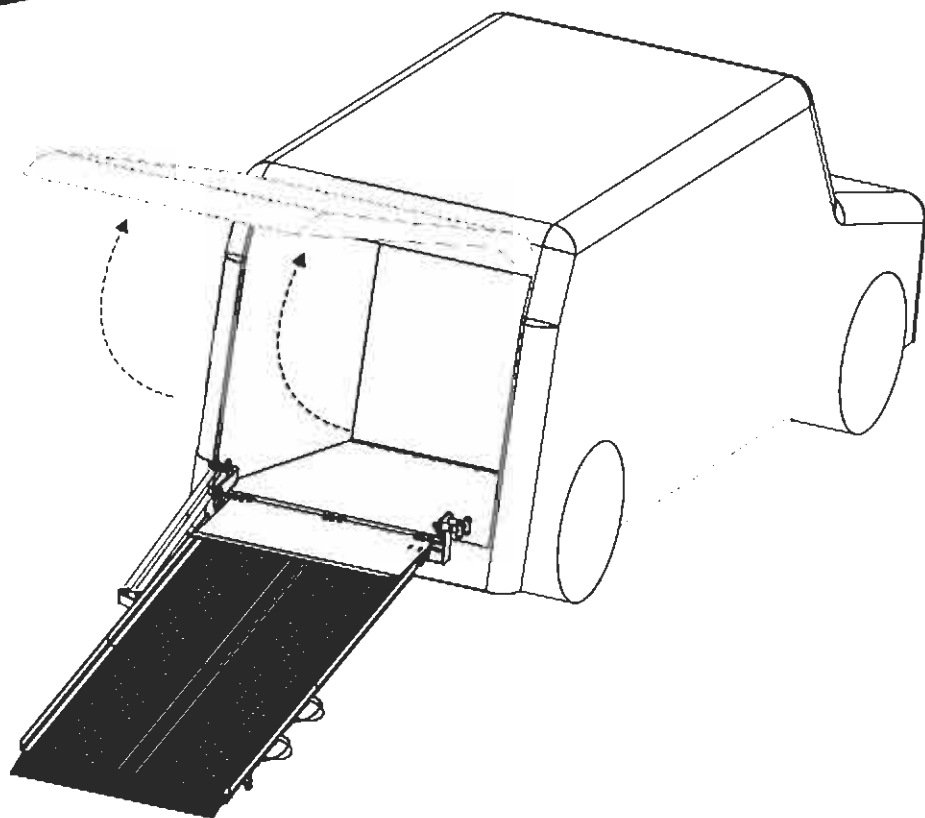
4 Pull INNER T-handle
To release threshold
ramp.



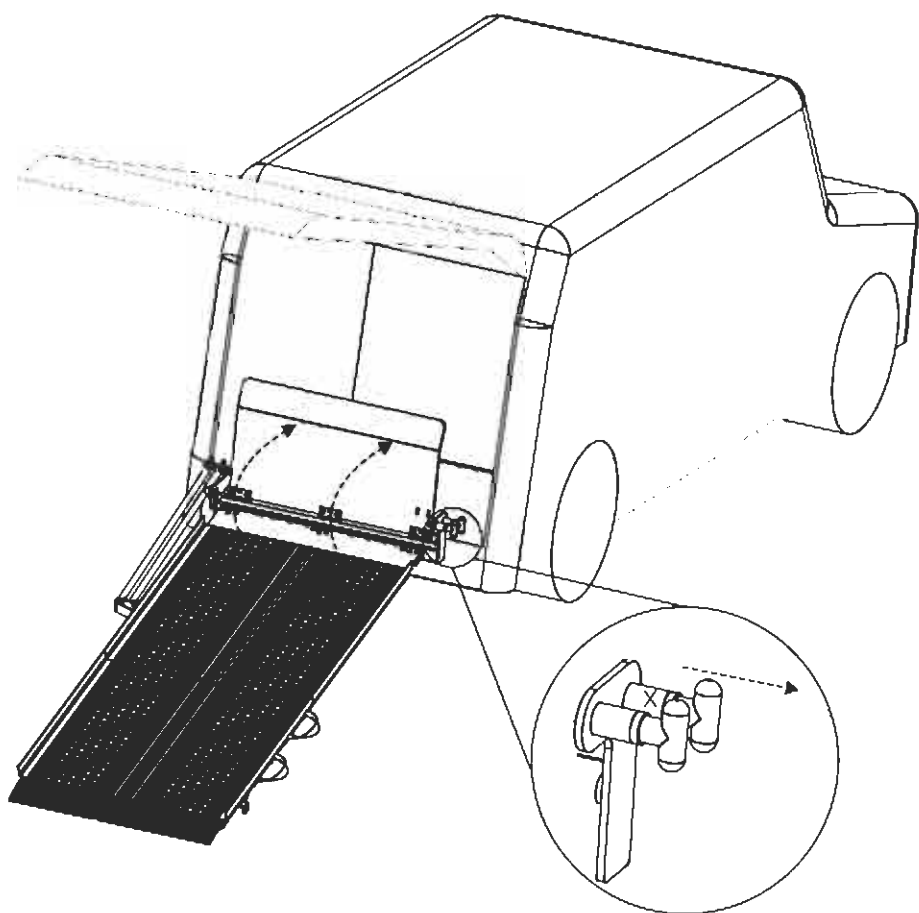
5 Fold back threshold ramp
to allow access to rear door.

Using the Ramp

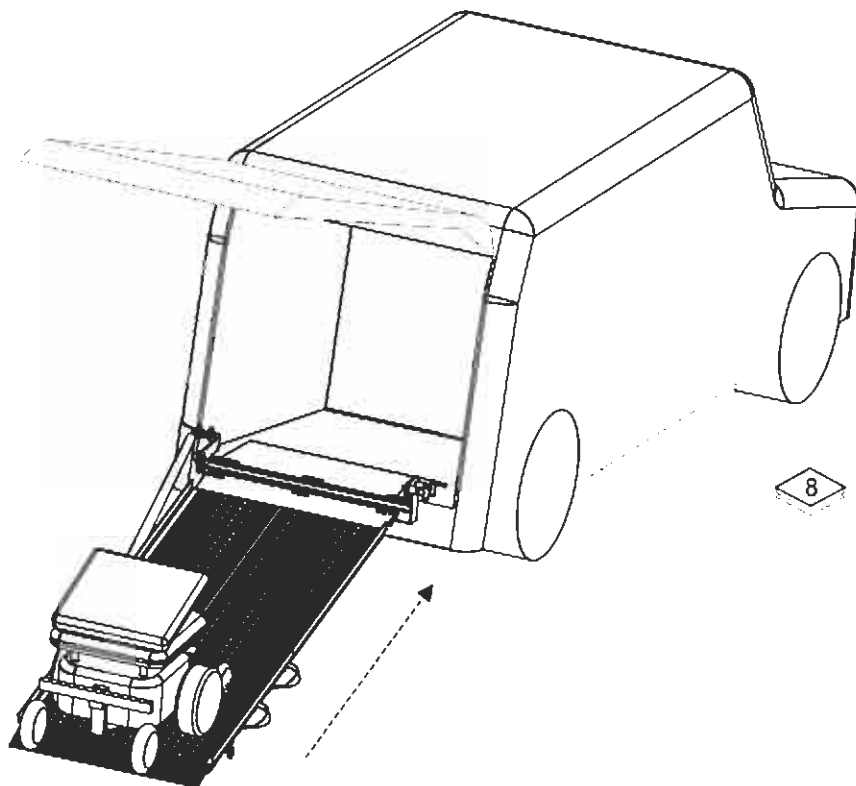
6 Open rear door.



7 Move threshold ramp forward into the vehicle while pulling INNER T-handle out of the way.



Using the Ramp



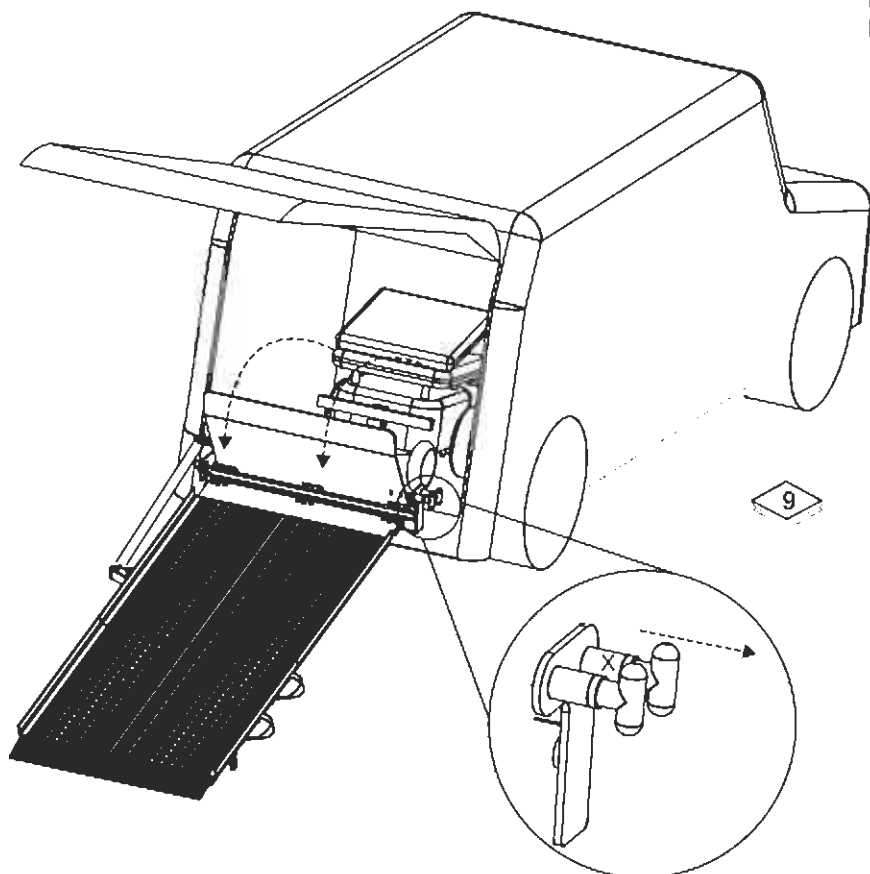
8

Fold seat back down on chair.

Select lowest speed setting on chair for most control. Stand to the side of the ramp. Drive chair up ramp and into vehicle.

DO NOT ATTEMPT TO RIDE CHAIR ON RAMP

RAMP IS FOR UN-OCCUPIED USE ONLY !

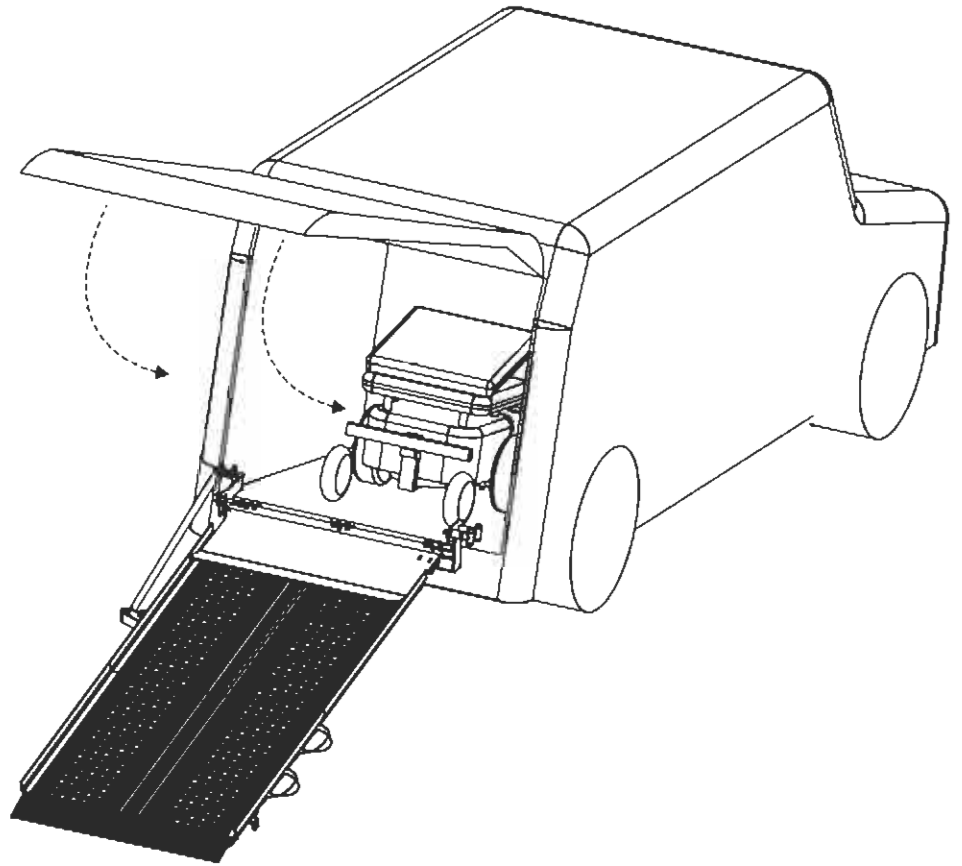


9

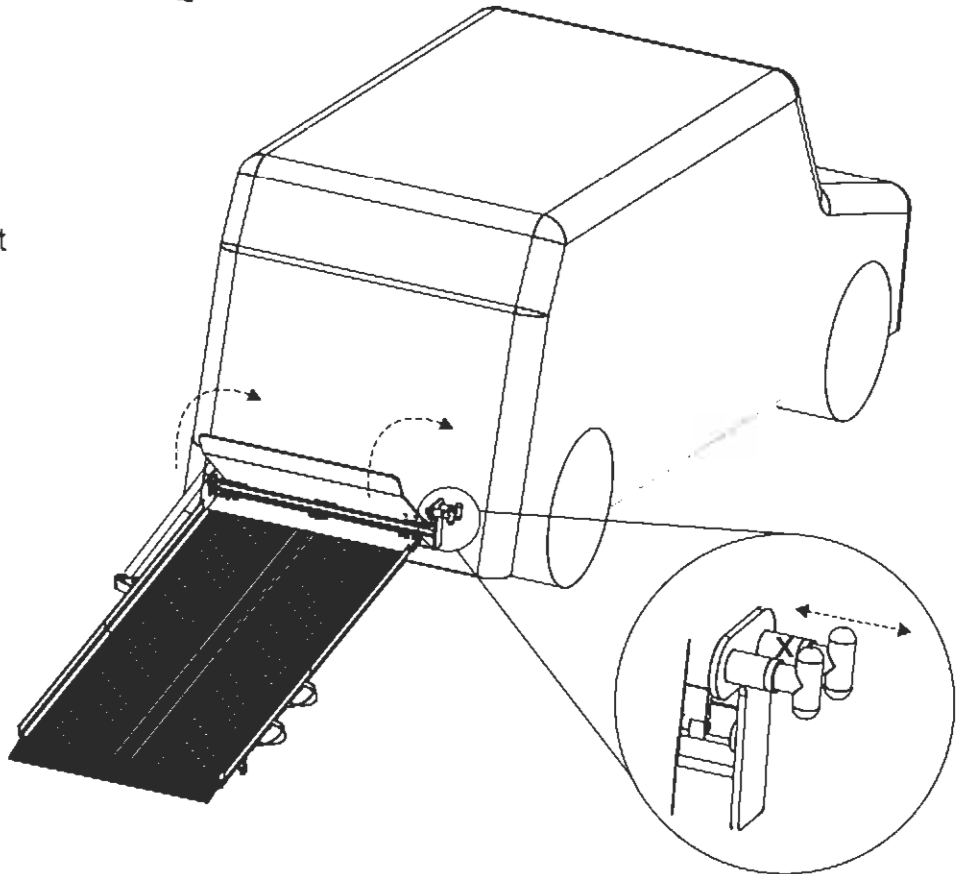
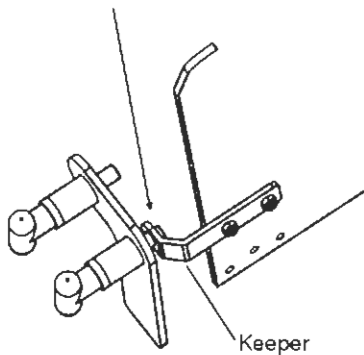
Once chair is successfully loaded and stowed, pull INNER T-handle and fold the threshold ramp all the way back flat against main ramp.

Using the Ramp

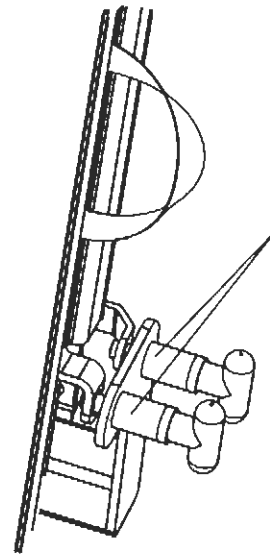
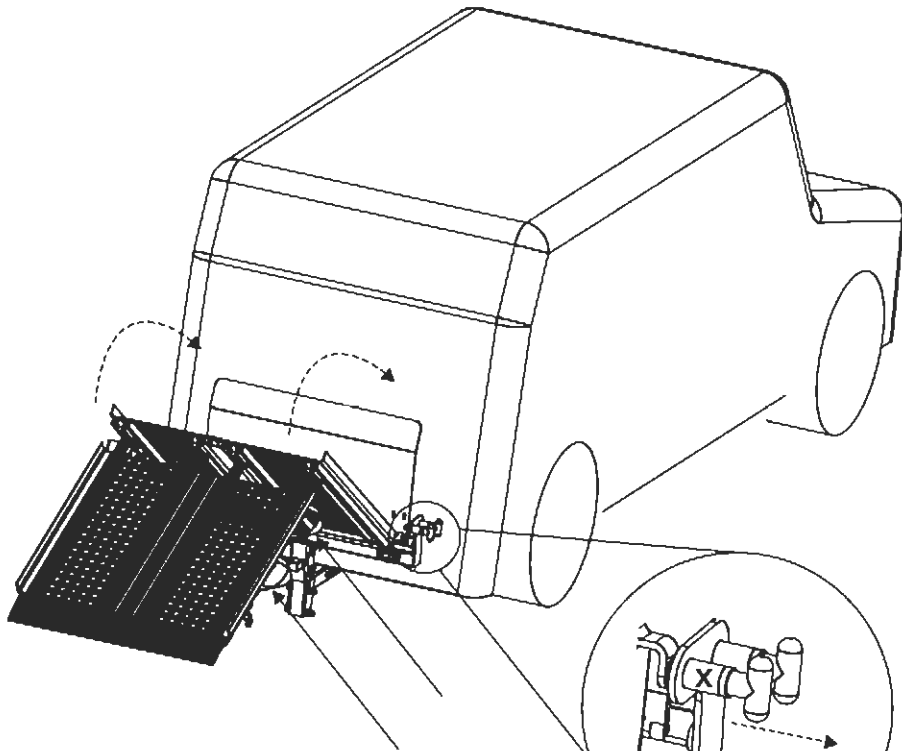
- 10 Close rear door taking caution chair and chair accessories clear door from inside.



- 11 Fold threshold ramp upright
Pull INNER T-handle
and lock the pin into
its KEEPER attached
to threshold



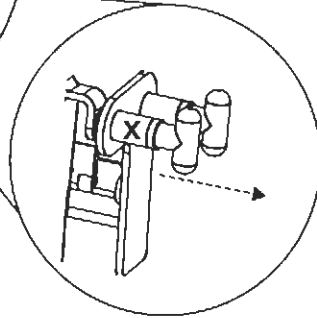
Using the Ramp



VERIFY BOTH
T-HANDLE
PINS ARE
ENGAGED
BEFORE
TRANSPORT

12

With both hands on both handles, fold ramp towards car. Once upright, pull OUTER T-handle and lock into place.



13

Install safety pin

The ramp is now ready for travel.

